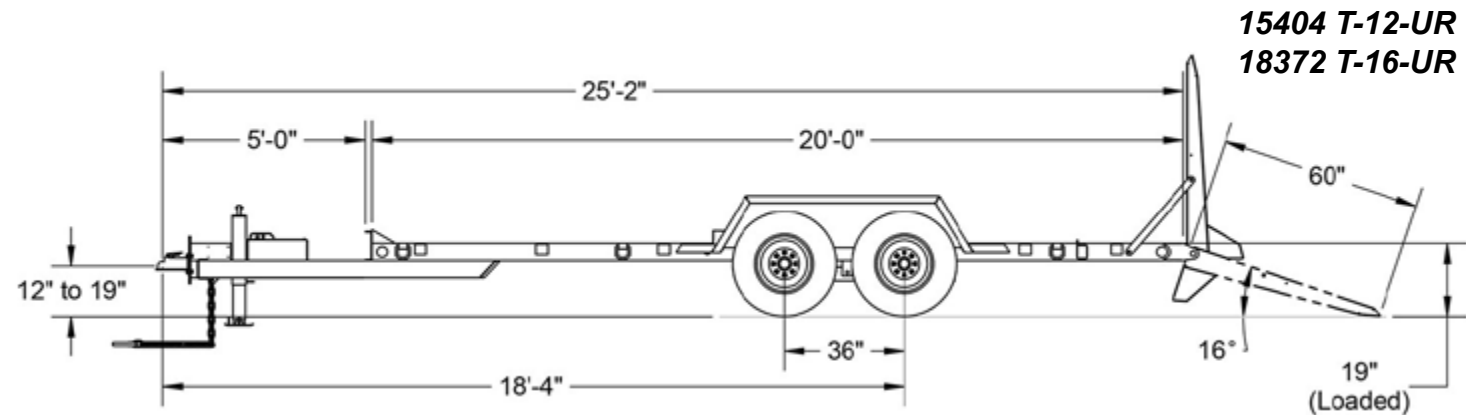




Utility Ramp Specifications



15404 T-12-UR
18372 T-16-UR

	15404 T-12-UR	18372 T-16-UR
GVWR	14,000 lbs.	18,400 lbs.
Capacity (Distributed)	11,000 lbs.	14,730 lbs.
Base Trailer Weight	3000 lbs.	3,670 lbs.
Frame Construction: Tubular subframe and perimeter rails	X	X
Crossmembers: Tubular Crossmembers on 16" Centers	2 1/2"	3"
Hitch: 2-5/16" ball coupler, adjustable	X	X
Landing Gear: 10,000 lb. capacity with drop foot	X	X
Safety Chains: 2 each Grade 70 high test cadium plated with slip hooks and saety latches	5/16" x 30"	3/8" x 36"
Load Securement: 8 each (4 per side) 5/8" D-ring type, 10 each (5 per side) stake pocket	X	X
Storage Compartment: Combination open tool tray and lockable toolbox	X	X
Axles: 2 each	7,000 lb.	8,000 lb.
Hubs: 8 on 6.5 bolt circle with cone type lug nuts	9/16"	5/8"
Brakes: 12" x 2" electric brakes both axles with 12 volt sealed breakaway system	X	X
Suspension: 3-Point Slipper Spring	X	X
Wheels: 8 hole disc type 6.5 bolt circle	16"x6.00"	17.5"x6.75"
Tires: 235/80R 16 radial load range E	X	
Tires: 215/75R 17.5 radial load range H		X
Finish Preparation: 5 stage Acid pre-treatment wash with Phosphate & Sealer	X	X
Base Coating: Two-component epoxy primer sealer	X	X
Finish Coating: Two-component urethane enamel top coat	X	X
Electrical: Trucklite 88 series modular system with rubber isolated, sealed beam lighting	X	X
Decking: 1 3/4" rough surface No. 1 grade Fir with fasteners at all crossmembers	X	X

Capacities and Specifications can vary depending on Optional Equipment >>> Specifications subject to change without notice



PO Box 987
Caldwell, ID 83606
1-208-454-0718
sales@trailmax.com
www.trailmax.com

Authorized Dealer:

"For The Long Haul"

1/30/2017



UR Series Utility Ramp



The TrailMax **Utility Ramp** offers a broad range of uses. Common uses include skid steers, mini excavators, landscape, farm and other small equipment uses. Easy user friendly design makes for ease of loading and unloading safely and efficiently.

At TrailMax we pride ourselves on building quality equipment trailers that provide...

Maximum Performance
Maximum Reliability, and
Maximum Return on Investment



www.TrailMax.com



5-Year Structural Warranty on all TrailMax Trailers

Utility Ramp Trailers



Standard Features & Benefits



Combination D-rings & Stake Pockets



Heavy Duty Bolt-on Fenders



82 1/2" Deck Width Full Length of Tiltbed



Combination Lockable & Open Storage Compartments

Options & Accessories



Chock Blocks



Custom Paint



Hubometer



Extra D Rings



Lunette Eye



Rubber Deck

The TrailMax Advantage

Superior Quality – TrailMax trailers are built to last. From the conception in the design process and throughout the manufacturing, every step is taken to ensure durability for years of rugged use. All of our trailers are designed with the end-user in mind.

Construction – Unlike conventional I-beam or channel iron construction, TrailMax trailers are engineered with top quality tensile steel construction throughout. With steel components designed to maintain consistent tolerances to assure accuracy during the assembly process.

Components – Major brand name components are used in the manufacturing process. Components that live up to the demands and performance we expect from each of our TrailMax products.

Quality Assurance – TrailMax Trailers maintains the highest quality standards in the industry. Process controls are maintained to assure consistency throughout the manufacturing process. Periodic testing is performed to assure that standards are met while constantly identifying opportunity for continual design and process improvement.

Options & Accessories Available for Utility Ramp

Lunette Eye	Steel Deck	Spare Tire
Extra D-Rings	Oak Deck	Spare Tire Carrier
LED Lights	Rubber Deck	Hubometer
Extra Stake Pockets	Surge Brakes	Chock Blocks
Weld-On Combination Winch	Custom Paint	Crossmembers on 12" Centers

Utility Ramp