



Storage Compartment & Winch

The TA Series comes standard with 2 storage compartments in the upper deck area. Also, standard with a 20,000 lb. hydraulic winch which can be powered by the Truck PTO or a Self-Contained Power Unit.



16 Degree Dump Angle

The 16 Degree Dump angle gives provides the ability to off load inoperable and non-mobile type equipment as well as shipping containers. (the photo used on the web site home page might be a better alternative)



Stake Pocket

Stake pocket/chain slots on 24" centers are standard on all Traveling Axle models. This gives you the versatility between staking and/or chaining a load.



6 Degree Load Angle

The 6 degree load angle is the lowest in the industry. Deck raises to upper deck to establish a transition for loading the upper deck.

- Lower Deck Length is the longest of any competitor.
- Travel cylinders are closed during transport to protect components from the harsh environment and road debris.



FWTRD-100-TA



FWTD-70-TA

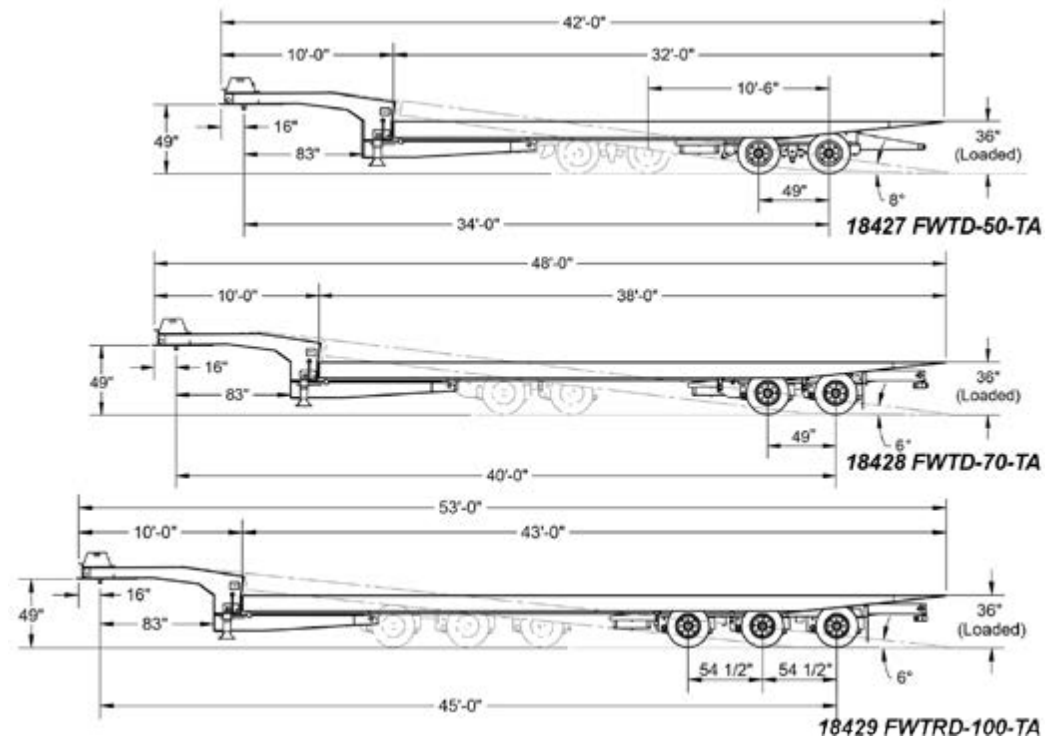
The TrailMax TA Series offers a broad range of diverse applications. The 6° load angle makes for easy loading of low clearance and gradeability challenged equipment while featuring a 16° dump angle for unloading inoperable equipment and containers. The features and benefits on this trailer are a standout from the competition.

At TrailMax we pride ourselves on building quality equipment trailers that provide...

Maximum Performance
Maximum Reliability, and
Maximum Return on Investment



Specification Drawings



	18427 FWTD-50-TA	18428 FWTD-70-TA	18429 FWTRD-100-TA
Capacity (Distributed)	50,000 lbs.	70,000 lbs.	100,000 lbs.
Concentrated Load		50,000 lbs. in 10'	70,000 lbs. in 10'
Base Trailer Weight	16,780 lbs.	18,580 lbs.	21,900 lbs.
Frame Construction - Fabricated 4-beam design A-656 high tensile	✓	✓	✓
Crossmembers - High Tensile 4" on 8-9" centers	✓	✓	✓
Hitch - King Pin type 150,000 PSI ultimate strength, 115,000 yield	✓	✓	✓
Landing Gear - 2 Speed 70,000 lb., 100,000 lb. static load	✓	✓	✓
Load Securement - 2-way chain slot/stake pocket system	18 each (9 per side)	24 each (12 per side)	28 each (14 per side)
Travel Running Gear - Actuated by Hydraulic Cylinders - Cylinders retracted in tow	✓	✓	✓
Hydraulic System - Wet kit PTO hydraulic operation with controls at gooseneck	✓	✓	✓
Storage Compartment - 2 each in Fifth Wheel upper deck	✓	✓	✓
Winch - 20,000 lb. Hydraulic 2-stage Planetary Gear with recessed cable rollers	✓	✓	✓
Axles - 5 in. round 5/8" wall thickness, 71 1/2" track	2-20,000 lbs. capacity	2-25,000 lbs. capacity	3-25,000 lbs. capacity
Hubs - Oil bath type with Unimount Hub and drum, 8 on 275mm bolt circle	✓	✓	✓
Brakes - 12-1/4" x 7-1/2" s-cam full air brakes with maxi spring brakes on both axles, automatic slack adjusters, equipped with 2S/2M ABS	✓	✓	✓
Drums - Steel Outboard type	✓	✓	✓
Suspension - Ridewell Model 240 Air Ride with Dump Valve	Hutch H-9700 Tandem	✓	✓
Wheels - 17.5" x 6.75" Uni-mount 8 on 275mm bolt circle	✓	✓	✓
Tires	215/75R 17.5 H	235/75R 17.5 H	235/75R 17.5 H
Finish Preparation - Sandblast	✓	✓	✓
Base Coating - Two-component epoxy primer sealer	✓	✓	✓
Finish Coating - Two-component urethane enamel top coat	✓	✓	✓
Electrical - Trucklite 88 series modular system, rubber isolated sealed beam LED lighting	✓	✓	✓
Decking - 1 3/8" Apitong Hardwood with Fasteners at all Crossmembers	2" No.1 Grade Fir	✓	✓

Capacities and Specifications can vary depending on Optional Equipment >>> Specifications subject to change without notice

Fifth Wheel Traveling Axle Trailers



The TrailMax Advantage

Superior Quality – TrailMax trailers are built to last. From the conception in the design process and throughout the manufacturing, every step is taken to ensure durability for years of rugged use. All of our trailers are designed with the end-user in mind.

Construction – Unlike conventional I-beam or channel iron construction, TrailMax trailers are engineered with top quality tensile steel construction throughout. With steel components designed to maintain consistent tolerances to assure accuracy during the assembly process.

Components – Major brand name components are used in the manufacturing process. These components that live up to the demands and performance we expect from each of our TrailMax products.

Quality Assurance – TrailMax trailers maintain the highest quality standards in the industry. Process controls are maintained to assure consistency throughout the manufacturing process. Periodic testing is performed to assure that standards are met while constantly identifying opportunity for continual design and process improvement.

Options & Accessories Available for the Fifth Wheel TA Series

- | | | |
|----------------------------|------------------------|---------------------------|
| 12" Outriggers | 4S2M ABS | Spare Tire |
| Recessed D-Rings | Custom Paint | Hubometer |
| Hydraulic Landing Gear | Amber Strobe/TailLight | Chock Blocks |
| 2-Function Wireless Remote | 48" Underbody Toolbox | Weld-On Combination Winch |



D-Rings



Hubometer



12" Outriggers



Recessed D-Rings



Custom Paint



Aluminum Wheels



Hydraulic Landing Gear