



Fifth Wheel Tiltbed Features & Benefits



Traction Bars on Tail & Wheel Well Covers



Cushion Cylinder for Load/Unload Control



Storage Compartment in Upper Deck



Adjustable Over-Center Type Latch Assembly



Step for Easy Access on and off the Trailer Deck



Stake Pocket/Chain Slot Provide Diverse Load Securement Options

The TrailMax Advantage

Superior Quality – TrailMax trailers are built to last. From the conception in the design process and throughout the manufacturing, every step is taken to ensure durability for years of rugged use. All of our trailers are designed with the end-user in mind.

Construction – Unlike conventional I-beam or channel iron construction, TrailMax trailers are engineered with top quality tensile steel construction throughout. With steel components designed to maintain consistent tolerances to assure accuracy during the assembly process.

Components – Major brand name components are used in the manufacturing process. Components that live up to the demands and performance we expect from each of our TrailMax products.

Quality Assurance – TrailMax Trailers maintains the highest quality standards in the industry. Process controls are maintained to assure consistency throughout the manufacturing process. Periodic testing is performed to assure that standards are met while constantly identifying opportunity for continual design and process improvement.



PO Box 987
Caldwell, ID 83606
1-208-454-0718
sales@trailmax.com
www.trailmax.com

Authorized Dealer:

“For The Long Haul”

1/30/2017



Tiltbed Series Fifth Wheel Tiltbed Trailers



The TrailMax Fifth Wheel **Tiltbed Series** offers a broad range of uses for hauling track machines and wheel type equipment. The user friendly design provides the quickest and most convenient way for loading and unloading equipment safely. It features multiple anchor points for securing the load for transport.

At TrailMax we pride ourselves on building quality equipment trailers that provide...

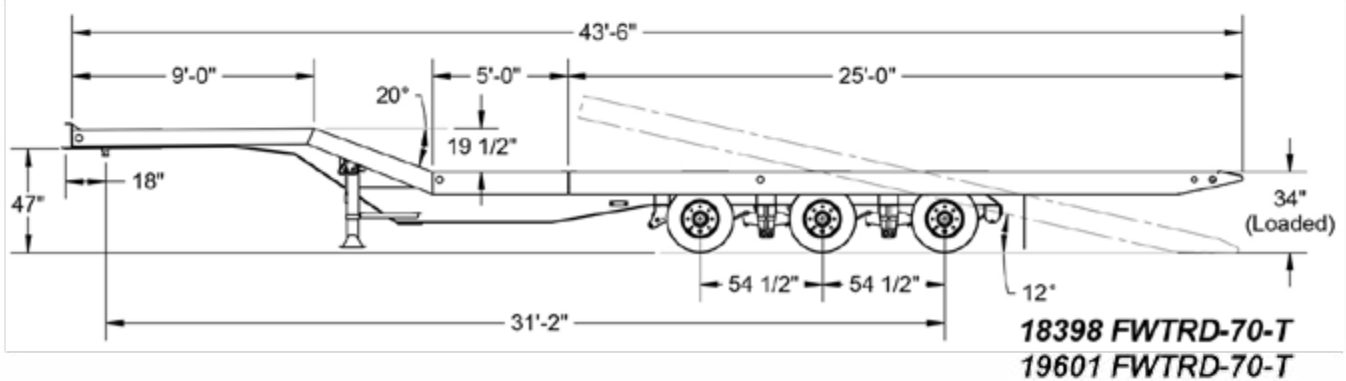
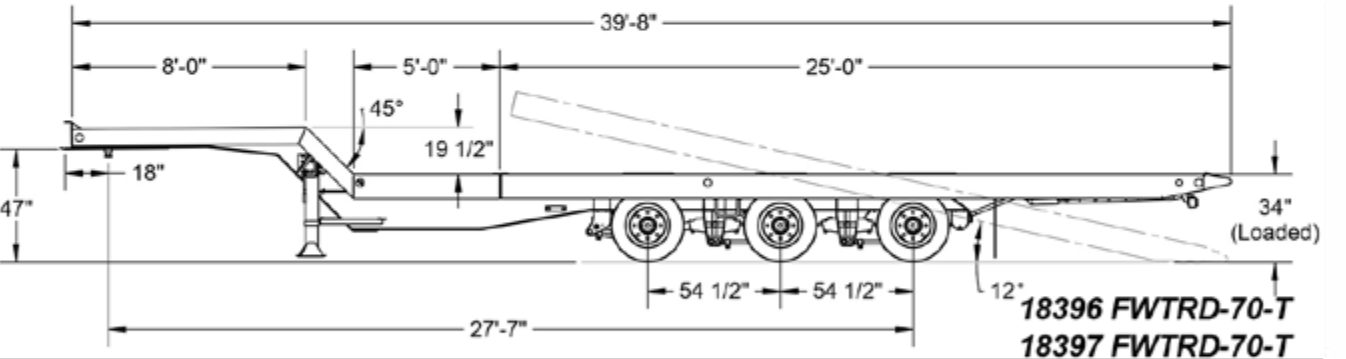
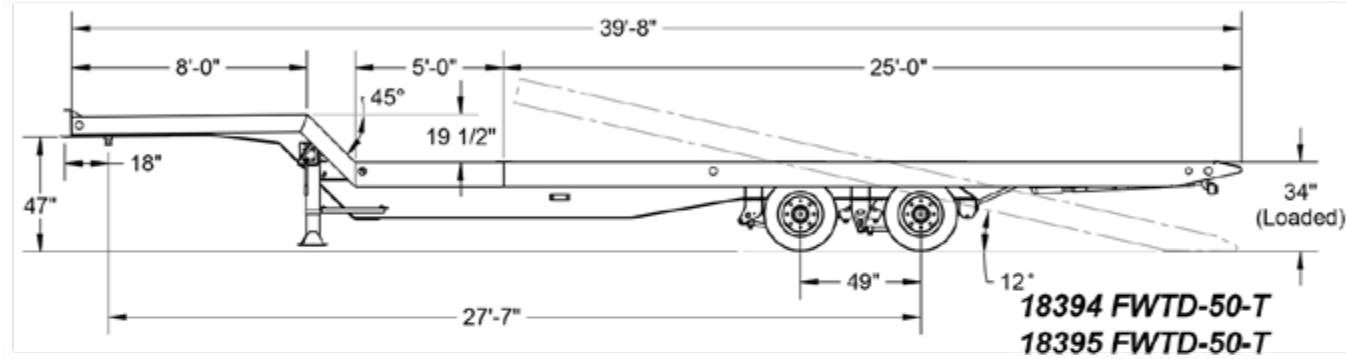
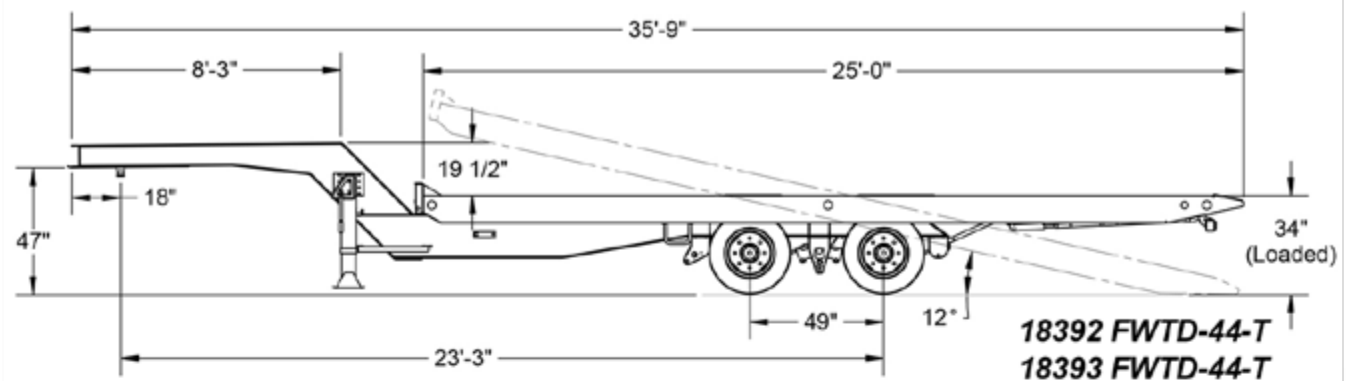
Maximum Performance
Maximum Reliability, and
Maximum Return on Investment



www.TrailMax.com

5-Year Structural Warranty on all TrailMax Trailers

Specification Drawings



Fifth Wheel Tiltbed Trailers

	18392 FWTD-44-T	18393 FWTD-44-T	18394 FWTD-50-T	18395 FWTD-50-T	18396 FWTRD-70-T	18397 FWTRD-70-T	18398 FWTRD-70-T	19601 FWTRD-70-T
GVWR (lbs.)	56,000	60,000	62,000	66,000	84,000	85,500	84,000	85,500
Capacity (Distributed) (lbs.)	45,650	48,870	50,040	52,900	69,820	70,500	67,800	68,250
Base Trailer Weight (lbs.)	10,350	11,130	11,960	13,100	14,180	15,180	16,200	17,250
Frame Construction Fabricated design A-656 high tensile	✓	✓	✓	✓	✓	✓	✓	✓
Crossmembers 5" Tubular crossmembers on 12" and 16" centers	✓	✓	✓	✓	✓	✓	✓	✓
Hitch King Pin type 150,000 PSI ultimate strength, 115,000 yield	✓	✓	✓	✓	✓	✓	✓	✓
Landing Gear 2 speed 70,000 lb., 100,000 lb. static load	✓	✓	✓	✓	✓	✓	✓	✓
Safety Chains 2 each 3/8" x 36" Grade 70 high test cadmium plated w/ slip hooks and safety latches	✓	✓	✓	✓	✓	✓	✓	✓
Deck Latch Over-center type with tension adjustment, lever & safety pin on drivers side for ease of operation	✓	✓	✓	✓	✓	✓	✓	✓
Cushion Cylinder 5" x 12" with internal metered flow to cushion loading and unloading	✓	✓	✓	✓	✓	✓	✓	✓
Load Securement 2-way chain slot/stake pocket system (NOTE: Quantity as marked)	14	14	24	24	24	24	24	24
Storage Compartment 2 each in Fifth Wheel upper deck	N/A	N/A	✓	✓	✓	✓	✓	✓
Axles 20,000 lb. capacity, 5 in. round 1/2" wall thickness 71-1/2" track and 40" spring centers (NOTE: Quantity as marked)	2-20K	2-23K	2-20K	2-23K	3-20K	3-23K	3-20K	3-20K
Hubs Oil bath type with Unimount Hub & drum, 8 on 275mm	✓	10 on 285.5mm	✓	10 on 285.5mm	✓	10 on 285.5mm	✓	✓
Brakes 12-1/4" x 7 1/2" s-cam full air brakes with maxi spring brakes, automatic slack adjusters, equipped with 2S/2M ABS	✓	16-1/2" x 7"	✓	16-1/2" x 7"	✓	16-1/2" x 7"	✓	✓
Drums Steel Outboard type	✓	✓	✓	✓	✓	✓	✓	✓
Suspension Hutch H-9700 with cast hangers and axle alignment capability	Tandem	Tandem	Tandem	Tandem	Tri-axle	Tri-axle	Tri-axle	Tri-axle
Wheels Uni-mount 8 on 275mm bolt circle (NOTE: size noted)	17.5 x 6.75	22.5 x 8.25	17.5 x 6.75	22.5 x 8.25	17.5 x 6.75	22.5 x 8.25	17.5 x 6.75	17.5 x 6.75
Tires Radial 16 ply, rating (LRH)	215/75R 17.5	255/70R 22.5	215/75R 17.5	255/70R 22.5	215/75R 17.5	255/70R 22.5	215/75R 17.5	215/75R 17.5
Finish Preparation Sandblast	✓	✓	✓	✓	✓	✓	✓	✓
Base Coating Two-component epoxy primer sealer	✓	✓	✓	✓	✓	✓	✓	✓
Finish Coating Two-component urethane enamel top coat	✓	✓	✓	✓	✓	✓	✓	✓
Electrical Trucklite 88 series modular system with rubber isolated, LED lighting	✓	✓	✓	✓	✓	✓	✓	✓
Decking 2" rough surface No. 1 grade Fir with fasteners at all crossmembers (NOTE: Oak / Fir on 70 models)	✓	✓	✓	✓	✓	✓	✓	✓

Options & Accessories Available for Fifth Wheel Tiltbed

- 4S 2M ABS
- Recessed D-Rings
- 48" Underbody Toolbox
- Weld-On Combination Winch
- Mid Ship Turn Signal
- Traction Bars
- Custom Paint
- Air Operated Deck Latch
- Canadian Axles Specs.
- Amber Strobe/TailLight
- Back Up Lights
- Spare Tire
- Hubometer
- Aluminum Wheels



Aluminum Wheels



D-Rings



Rubber Deck



12" Outriggers



48" Underbody Toolbox



Custom Paint



Traction Bars



Belt Winches