



The TrailMax **Flatbed Series** offers a broad range of uses and is available in various deck lengths and capacities. Common uses include palletized products, pipe, non mobile type equipment as well as other general commodity uses. Comes standard with stake pockets on 2' centers and can be equipped with other optional load securement devices such as d-rings, belt winches or rope hooks. Also can be equipped with stake sides of various configurations.

At TrailMax we pride ourselves on building quality equipment trailers that provide...

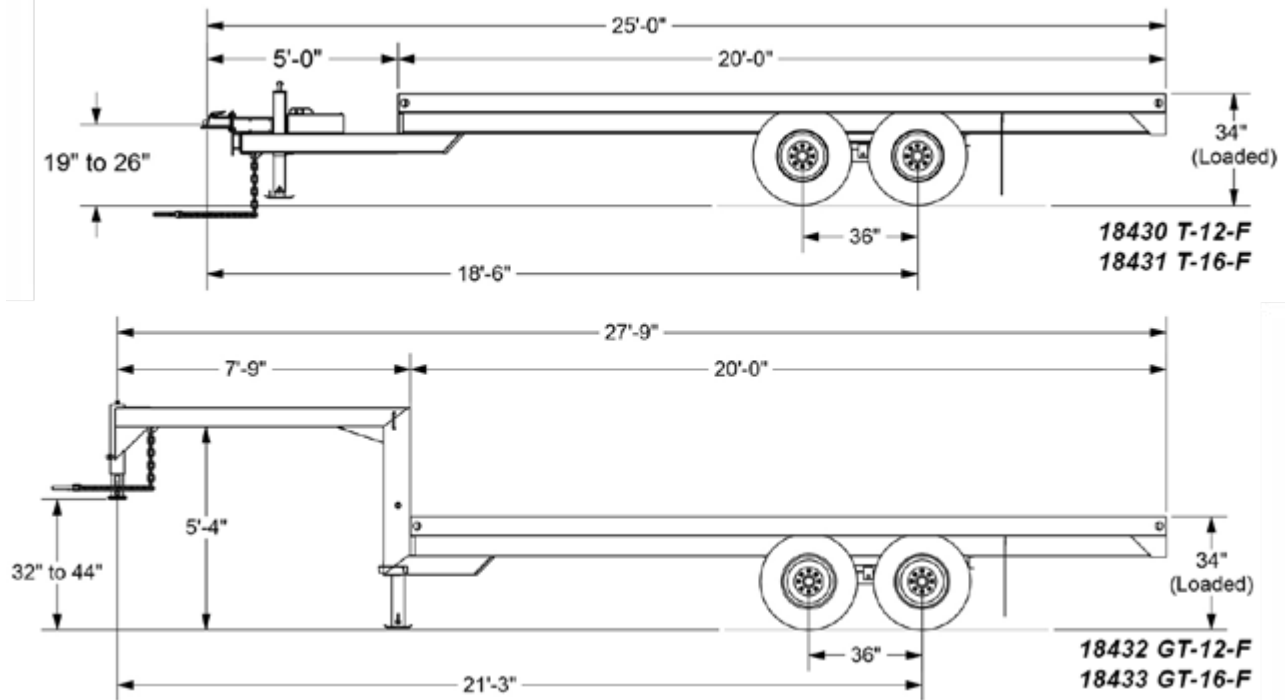
Maximum Performance
Maximum Reliability, and
Maximum Return on Investment



www.TrailMax.com



5-Year Structural Warranty on all TrailMax Trailers



	18430 T-12-F	18432 GT-12-F	18431 T-16-F	18433 GT-16-F
GVWR	14,000 lbs	14,000 lbs	18,400 lbs	18,400 lbs
Capacity (Distributed)	10,580 lbs	10,160 lbs	14,800 lbs	14,380 lbs
Base Trailer Weight	3,420 lbs	3,840 lbs	3,600 lbs	4,020 lbs
Frame Construction: Tubular subframe with high tensile perimeter rails	X	X	X	X
Crossmembers: 3" Tubuar crossmember on 16" centers	X	X	X	X
Hitch: 2-5/16" BALL COUPLER, adjustable	X	X	X	X
Landing Gear: 12,000 lb. capacity with drop foot	X	X	X	X
Safety Chains: Grade 70 high test cadium plated with slip hooks and safety latches	5/16"x30"	3/8"x36"	5/16"x30"	3/8"x36"
Load Securement: Stake pockets on 2' centers	X	X	X	X
Storage Compartment: Combination open tool tray & lockable toolbox	X	NA	X	NA
Axles: 7,000 lb. capacity or 8,000 lb. capacity as noted	2 x7,000lb	2 x7,000lb	2 x8,000lb	2 x 8,000lb
Hubs: 8 on 6.5 bolt circle, cone type lug nuts as noted size	9/16"	9/16"	5/8"	5/8"
Brakes: 12" x 2" electric brakes both axles with 12 volt sealed breakaway system	X	X	X	X
Suspension: 3-Point Slipper Spring	X	X	X	X
Wheels: 8 hole disc type 6.5 bolt circle, size as noted	16" x 6.00	16" x 6.00	17.5"x 6.75	17.5"x 6.75
Tires	235/80R 16 lr E	235/80R 16 lr E	215/75R 17.5 lr H	215/75R 17.5 lr H
Finish Preparation: 5 stage Acid pre-treatment wash with Phosphate & Sealer	X	X	X	X
Base Coating: Two-component epoxy primer sealer	X	X	X	X
Finish Coating: Two-component urethane enamel top coat	X	X	X	X
Electrical: Trucklite 88 series modular system with rubber isolated, sealed beam lighting	X	X	X	X
Decking: 1 3/4" rough surface No.1 grade Fir with fasteners at all crossmembers	X	X	X	X