



Medium Tiltbed Features & Benefits



Traction Bars on Tail & Wheel Well Covers



Cushion Cylinder for Load/Unload Control



Lockable Storage Compartment in Tongue Area



Adjustable Over-Center Type Latch Assembly



Step for Easy Access on and off the Trailer Deck



Stake Pocket/Chain Slot Provide Diverse Load Securement Options

The TrailMax Advantage

Superior Quality – TrailMax trailers are built to last. From the conception in the design process and throughout the manufacturing, every step is taken to ensure durability for years of rugged use. All of our trailers are designed with the end-user in mind.

Construction – Unlike conventional I-beam or channel iron construction, TrailMax trailers are engineered with top quality tensile steel construction throughout. With steel components designed to maintain consistent tolerances to assure accuracy during the assembly process.

Components – Major brand name components are used in the manufacturing process. These components live up to the demands and performance we expect from each of our TrailMax products.

Quality Assurance – TrailMax trailers maintain the highest quality standards in the industry. Process controls are maintained to assure consistency throughout the manufacturing process. Periodic testing is performed to assure that standards are met while constantly identifying opportunities for continual design and process improvement.



PO Box 987
Caldwell, ID 83606
1-208-454-0718
sales@trailmax.com
www.trailmax.com

Authorized Dealer:

“For The Long Haul”

1/30/2017



Tiltbed Series Medium Tiltbed Trailers



The TrailMax Medium **Tiltbed Series** offers a broad range of uses for hauling track machines and wheel type equipment. The user friendly design provides the quickest and most convenient way for loading and unloading equipment safely. It features multiple anchor points for securing the load for transport.

At TrailMax we pride ourselves on building quality equipment trailers that provide...

Maximum Performance
Maximum Reliability, and
Maximum Return on Investment

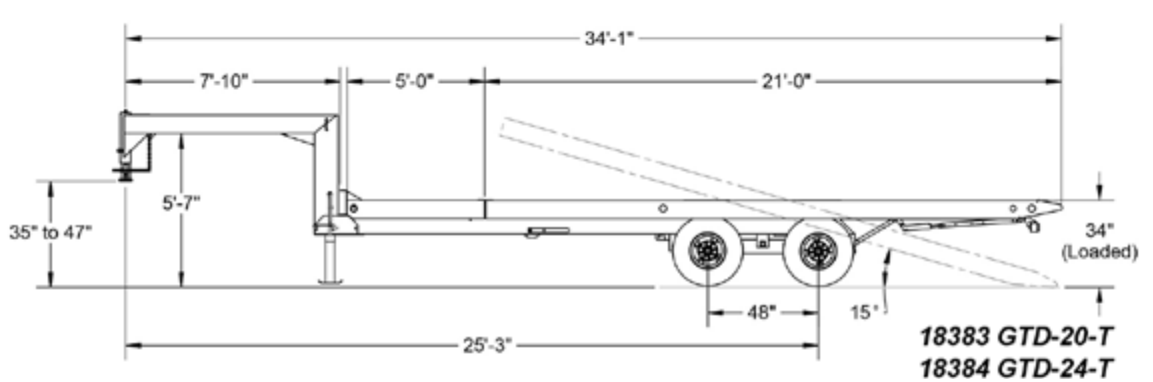
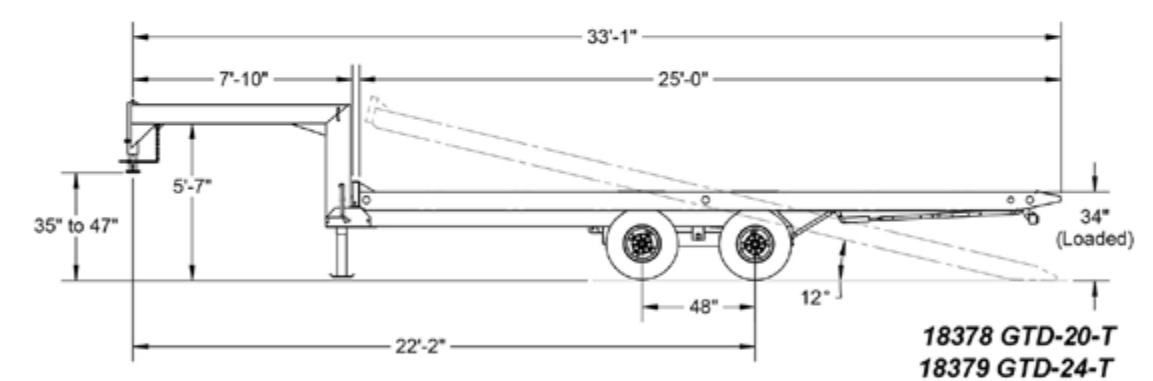
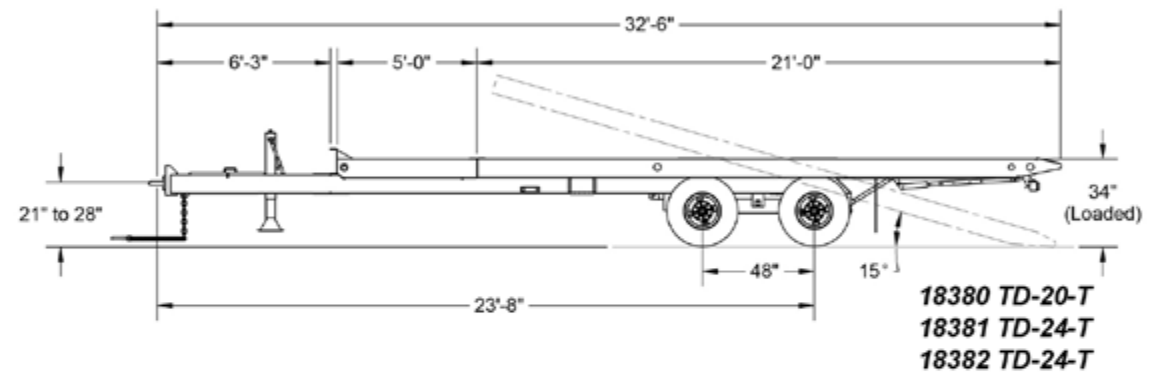
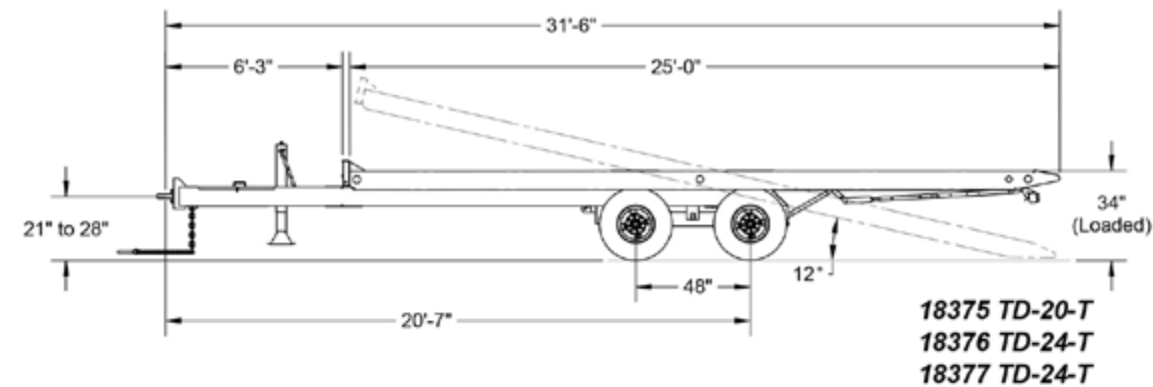


www.TrailMax.com

5-Year Structural Warranty on all TrailMax Trailers

Specification Drawings

Medium Tiltbed Trailers



	18375 TD-20-T	18378 GTD-20-T	18380 TD-20-T	18383 GTD-20-T	18376 TD-24-T	18377 TD-24-T	18379 GTD-24-T	18381 TD-24-T	18382 TD-24-T	18384 GTD-24-T
GVWR (lbs.)	25,600	24,000	25,600	24,000	26,000	26,000	26,000	26,000	26,000	26,000
Capacity (Distributed) (lbs.)	18,540	16,580	18,120	16,220	18,940	18,650	18,580	18,650	18,230	18,160
Base Trailer Weight (lbs.)	7,060	7,530	7,480	7,780	7,170	7,350	7,530	7,560	7,670	7,860
Frame Construction Tubular subframe with high tensile perimeter rails	✓	✓	✓	✓	✓	✓	✓	✓	✓	✓
Crossmembers 4" Tubular crossmembers on 16" centers	✓	✓	✓	✓	✓	✓	✓	✓	✓	✓
Hitch Drawbar eye, 30,000 lb. capacity adjustable	✓	✓	✓	✓	✓	✓	✓	✓	✓	✓
Landing Gear 12,000 lb. capacity with drop foot	✓	✓	✓	✓	✓	✓	✓	✓	✓	✓
Safety Chains 2 each 3/8" x 36" Grade 70 high test cadmium plated with slip hooks and safety latches	✓	✓	✓	✓	✓	✓	✓	✓	✓	✓
Deck Latch Over-center type with tension adjustment and safety pin	✓	✓	✓	✓	✓	✓	✓	✓	✓	✓
Cushion Cylinder 4" x 16" with internal metered flow to cushion loading and unloading	✓	✓	✓	✓	✓	✓	✓	✓	✓	✓
Load Securement 14 each (7 per side) 2-way chain slot/stake pocket system	✓	✓	✓	✓	✓	✓	✓	✓	✓	✓
Storage Compartment In tongue with lockable lid	✓	✓	✓	✓	✓	✓	✓	✓	✓	✓
Axles 5 in. round 74-1/2" track and 46" spring centers	2-10K	2-10K	2-10K	2-10K	2-12K	2-12K	2-12K	2-12K	2-12K	2-12K
Hubs Oil bath type, 8 on 6.5 bolt circle	5/8" Cone Nuts	5/8" Cone Nuts	5/8" Cone Nuts	5/8" Cone Nuts	3/4" Cone Nuts	3/4" Cone Nuts	3/4" Cone Nuts	3/4" Cone Nuts	3/4" Cone Nuts	3/4" Cone Nuts
Brakes Electric brakes both axles with 12 volt sealed breakaway system (AIR: 12 1/4" x 5" Air Brakes)	12-1/4" x 3-1/2"	12-1/4" x 3-1/2"	12-1/4" x 3-1/2"	12-1/4" x 3-1/2"	AIR	AIR	12-1/4" x 3-1/2"	12-1/4" x 3-1/2"	AIR	12-1/4" x 3-1/2"
Suspension 3-point spring with axle alignment capability	✓	✓	✓	✓	✓	✓	✓	✓	✓	✓
Wheels 16" x 6.00" 8 hole disc type 6.5 bolt circle	✓	✓	✓	✓	✓	✓	✓	✓	✓	✓
Tires 235/80R 16 radial load range E	✓	✓	✓	✓	✓	✓	✓	✓	✓	✓
Finish Preparation Sandblast	✓	✓	✓	✓	✓	✓	✓	✓	✓	✓
Base Coating Two-component epoxy primer sealer	✓	✓	✓	✓	✓	✓	✓	✓	✓	✓
Finish Coating Two-component urethane enamel top coat	✓	✓	✓	✓	✓	✓	✓	✓	✓	✓
Electrical Trucklite 88 series modular system with rubber isolated, LED lighting	✓	✓	✓	✓	✓	✓	✓	✓	✓	✓
Decking 2" rough surface No. 1 grade Fir with fasteners at all crossmembers	✓	✓	✓	✓	✓	✓	✓	✓	✓	✓

Capacities and Specifications can vary depending on Optional Equipment >>> Specifications subject to change without notice

Options & Accessories Available for the Medium Tiltbed Series

- 12" Outriggers
- 48" Underbody Toolbox
- Recessed D-Rings
- Weld-On Combination Winch

- 12,000 Winch
- Custom Paint
- Goodyear G 614 14 Ply Tires
- Amber Strobe/TailLight

- Oak Deck
- Spare Tire
- Hubometer
- Chock Blocks



D-Rings



Rumber® Deck



12" Outriggers



Underbody Toolbox



Custom Paint



Belt Winches